

Information for Users

Hazard distance (IEC 62471-5)

The distance at which the level of exposure has dropped to the level of the applicable Exposure Limit Value is known as the hazard distance or safety distance.

Do not look or stare into the light beam from a distance closer than the hazard distance (RG3 = risk group 3).

Beyond this distance the laser beam is considered to be safe. (RG2 = risk group 2)

RG3 level is considered to be a hazard to the eyes from direct radiation.

RG2 level does not pose any optical hazard and can be safely used in all situations.

Gefährdungsabstand (IEC 62471-5)

Der Abstand, bei dem das Ausmaß der Bestrahlung bis auf den anzuwendenden Expositionsgrenzwert abgesunken ist, wird Gefährdungs- oder Sicherheitsabstand genannt. Schauen oder starren sie nicht in den Lichtstrahl von einem geringeren Augenabstand als den genannten Sicherheitsabstand (RG3 = Risikogruppe 3).

Über diesen Abstand hinaus gilt der Laserstrahl als sicher (RG2 = Risikogruppe 2).

Strahlungsleistungen der Risikogruppe 3 (RG3) stellen ein Risiko für das Auge dar.

Strahlungsleistungen der Risikogruppe 2 (RG2) werden als nicht gefährdend für das Auge eingestuft und können in allen Situationen sicher verwendet werden.

Distance du risque (IEC 62471-5)

La distance à laquelle le niveau d'exposition est descendu au niveau de la Valeur limite d'exposition est connue sous le nom de distance du risque ou distance de sécurité.

Ne pas regarder ou regarder fixement le faisceau lumineux à une distance inférieure à la distance du risque (RG3 = groupe de risque 3).

Au-delà de cette distance, le faisceau laser est considéré comme sûr. (RG2 = groupe de risque 2)

Le niveau RG3 est considéré comme un risque pour les yeux en raison du rayonnement direct.

Le niveau RG2 ne pose aucun risque optique et peut être utilisé sans danger dans toutes les situations.

Distancia de peligro (IEC 62471-5)

La distancia a la que el nivel de exposición se reduce al nivel de valor límite de exposición aplicable se conoce como la distancia de peligro o distancia de seguridad.

No mire ni fije la vista en el haz de luz desde una distancia menor a la distancia de peligro (RG3 = grupo de riesgo 3).

Superada esta distancia el haz de luz láser se considera seguro. (RG2 = grupo de riesgo 2)

El nivel RG3 se considera un peligro de radiación directa para la vista.

El nivel RG2 no implica ningún riesgo óptico y puede usarse de forma segura en cualquier situación.

Distanza di pericolo (IEC 62471-5)

La distanza per cui il livello di esposizione scende al livello del valore limite di esposizione è nota come distanza di pericolo o distanza di sicurezza.

Non guardare o fissare il fascio di luce da una distanza inferiore rispetto alla distanza di rischio (RG3 = gruppo di rischio 3).

Oltre tale distanza il fascio laser è considerato sicuro. (RG2 = gruppo di rischio 2)

Il livello RG3 viene considerato pericoloso per gli occhi in seguito a radiazione diretta.

Il livello RG2 non pone alcun pericolo ottico e può essere utilizzato in modo sicuro in tutte le situazioni.

Model No. PT-RZ21K PT-RS20K

Hazard distance (IEC 62471-5)

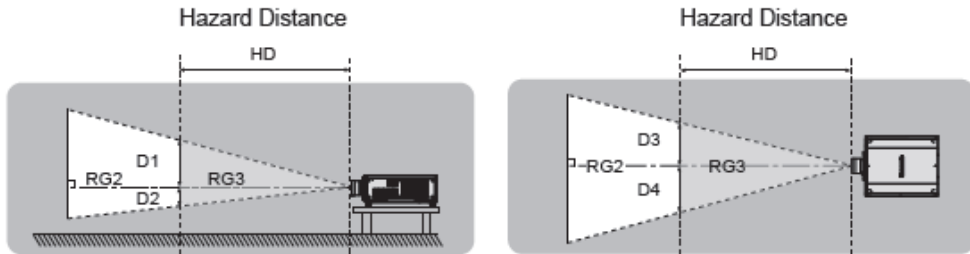
The distance at which the level of exposure has dropped to the level of the applicable Exposure Limit Value known as the hazard distance or safety distance.

Do not look or stare into the light beam from a distance closer than the hazard distance (RG3 = risk group 3)

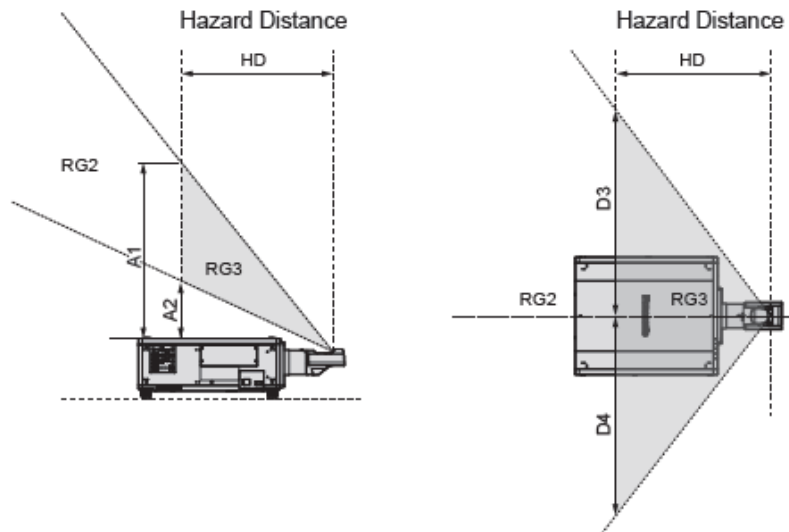
Beyond this distance the light beam is considered to be safe. (RG2 = risk group 2)

RG3 level is considered to be a hazard to the eyes from direct radiation.

RG2 level does not pose any optical hazard and can be safely used in all situations.



Except ET-D75LE90, ET-D75LE95



ET-D75LE90, ET-D75LE95

(Unit: m)

Lens	HD ^{*1}	D1 ^{*2} max.	D2 ^{*2} max.	D3 ^{*2} max.	D4 ^{*2} max.
ET-D75LE50	< 1.0	0.52	0.52	0.75	0.75
ET-D75LE6		0.70	0.70	0.73	0.73
ET-D75LE10	1.2	0.68	0.68	0.72	0.72
ET-D75LE20	1.7	0.73	0.73	0.78	0.78
ET-D75LE30	3.2	0.94	0.94	1.01	1.01
ET-D75LE40	4.8	0.74	0.74	0.79	0.79
ET-D75LE8	6.8	0.68	0.68	0.71	0.71
Lens	HD ^{*1}	A1 ^{*2} max.	A2 ^{*2} min.	D3 ^{*2} max.	D4 ^{*2} max.
ET-D75LE90	< 1.0	2.16	0.26	1.70	1.70
ET-D75LE95					

*1 Hazard Distance

*2 D1, D2, D3, D4, A1 and A2 changes in accordance with projection lens shift amount.
Each number in this table is worst case.

Note: Each table complies with IEC 60825-1 (2014) and IEC 62471-5 (2015)

Model No.

PT-RQ32

PT-RZ31

PT-RS30

Hazard distance (IEC 62471-5)

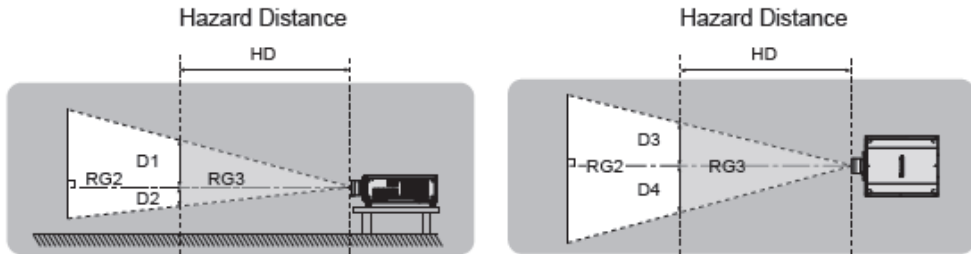
The distance at which the level of exposure has dropped to the level of the applicable Exposure Limit Value known as the hazard distance or safety distance.

Do not look or stare into the light beam from a distance closer than the hazard distance (RG3 = risk group 3)

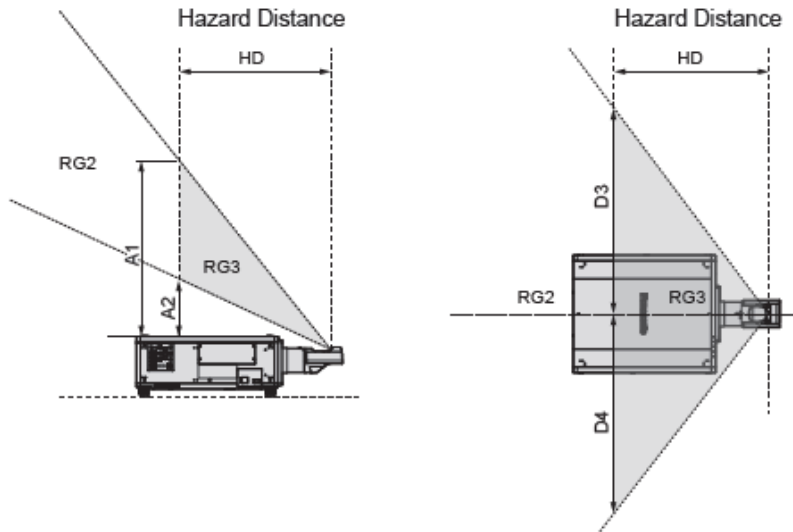
Beyond this distance the light beam is considered to be safe. (RG2 = risk group 2)

RG3 level is considered to be a hazard to the eyes from direct radiation.

RG2 level does not pose any optical hazard and can be safely used in all situations.



Except ET-D75LE90, ET-D75LE95



ET-D75LE90, ET-D75LE95

(Unit: m)

Lens ^{(*)1}	PT-RZ31K, PT-RS30K					PT-RQ32K				
	HD ^{(*)2} [m]	D1 ^{(*)3} [m] max.	D2 ^{(*)3} [m] max.	D3 ^{(*)3} [m] max.	D4 ^{(*)3} [m] max.	HD ^{(*)2} [m]	D1 ^{(*)3} [m] max.	D2 ^{(*)3} [m] max.	D3 ^{(*)3} [m] max.	D4 ^{(*)3} [m] max.
ET-D75LE50	< 1,0	0,52	0,52	0,75	0,75	< 1,0	0,44	0,44	0,70	0,70
ET-D75LE6		0,70	0,70	0,73	0,73		0,69	0,69	0,72	0,72
ET-D75LE10	1,2	0,68	0,68	0,72	0,72	1,1	0,57	0,57	0,66	0,66
ET-D75LE20	1,7	0,73	0,73	0,78	0,78	1,6	0,63	0,63	0,74	0,74
ET-D75LE30	3,2	0,94	0,94	1,01	1,01	3,0	0,81	0,81	0,94	0,94
ET-D75LE40	4,8	0,74	0,74	0,79	0,79	4,4	0,62	0,62	0,72	0,72
ET-D75LE8	5,4	0,54	0,54	0,57	0,57	5,0	0,46	0,46	0,53	0,53
Lens ^{(*)1}	HD ^{(*)2} [m]	A1 ^{(*)3} [m] max.	A2 ^{(*)3} [m] min.	D3 ^{(*)3} [m] max.	D4 ^{(*)3} [m] max.	HD ^{(*)2} [m]	A1 ^{(*)3} [m] max.	A2 ^{(*)3} [m] min.	D3 ^{(*)3} [m] max.	D4 ^{(*)3} [m] max.
ET-D75LE90	< 1,0	2,16	0,26	1,70	1,70	< 1,0	2,01	0,26	1,82	1,82
ET-D75LE95										

*1 Hazard Distance

*2 D1, D2, D3, D4, A1 and A2 changes in accordance with projection lens shift amount. Each number in this table is worst case.

Note: Each table complies with IEC 60825-1 (2014) and IEC 62471-5 (2015)

Model No.

PT-RQ13K

PT-RZ12K

PT-RS11K

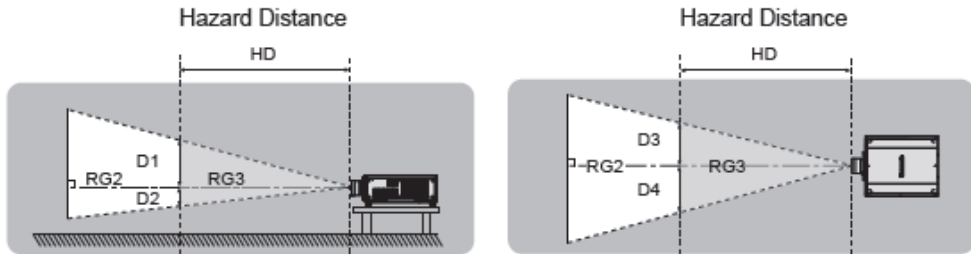
Hazard distance (IEC 62471-5)

The distance at which the level of exposure has dropped to the level of the applicable Exposure Limit Value known as the hazard distance or safety distance.

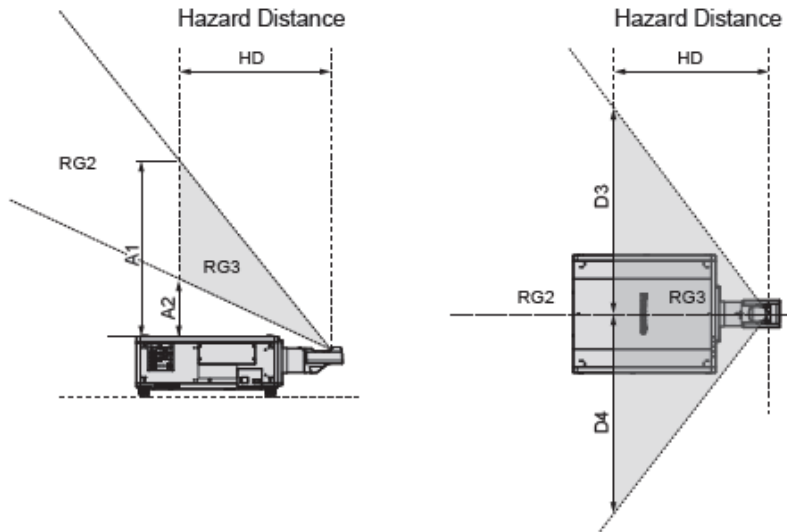
Do not look or stare into the light beam from a distance closer than the hazard distance (RG3 = risk group 3) Beyond this distance the light beam is considered to be safe. (RG2 = risk group 2)

RG3 level is considered to be a hazard to the eyes from direct radiation.

RG2 level does not pose any optical hazard and can be safely used in all situations.



Except ET-D75LE90, ET-D75LE95



ET-D75LE90, ET-D75LE95

(Unit: m)

PT-RZ12K, PT-RS11K						PT-RQ13K				
Lens(*1)	HD(*2) [m]	D1(*3) [m]	D2(*3) [m]	D3(*3) [m]	D4(*3) [m]	HD(*2) [m]	D1(*3) [m]	D2(*3) [m]	D3(*3) [m]	D4(*3) [m]
ET-D75LE50	< 1,0	0,52	0,52	0,75	0,75	< 1,0	0,44	0,44	0,70	0,70
ET-D75LE6		0,70	0,70	0,73	0,73		0,69	0,69	0,72	0,72
ET-D75LE10		0,57	0,57	0,61	0,61		0,52	0,52	0,61	0,61
ET-D75LE20		0,44	0,44	0,47	0,47		0,41	0,41	0,47	0,47
ET-D75LE30	1,9	0,57	0,57	0,61	0,61	1,7	0,47	0,47	0,55	0,55
ET-D75LE40	2,8	0,44	0,44	0,47	0,47	2,5	0,36	0,36	0,42	0,42
ET-D75LE8	3,1	0,32	0,32	0,35	0,35	2,8	0,27	0,27	0,32	0,32
Lens(*1)	HD(*2) [m]	A1(*3) [m] max.	A2(*3) [m] min.	D3(*3) [m] max.	D4(*3) [m] max.	HD(*2) [m]	A1(*3) [m] max.	A2(*3) [m] min.	D3(*3) [m] max.	D4(*3) [m] max.
ET-D75LE90	< 1,0	2,16	0,26	1,70	1,70	< 1,0	2,01	0,26	1,82	1,82
ET-D75LE95										

*1 Hazard Distance

*2 D1, D2, D3, D4, A1 and A2 changes in accordance with projection lens shift amount. Each number in this table is worst case.

Note: Each table complies with IEC 60825-1 (2014) and IEC 62471-5 (2015)

PT-RZ970、PT-RW930、PT-RX110

PT-RZ770、PT-RW730

PT-RZ660、PT-RW620

Information for Users

Hazard distance (IEC 62471-5)

The distance at which the level of exposure has dropped to the level of the applicable Exposure Limit Value is known as the hazard distance or safety distance.

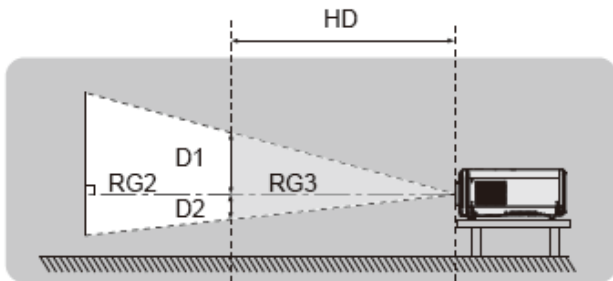
Do not look or stare into the light beam from a distance closer than the hazard distance (RG3 = risk group 3).

Beyond this distance the light beam is considered to be safe. (RG2 = risk group 2)

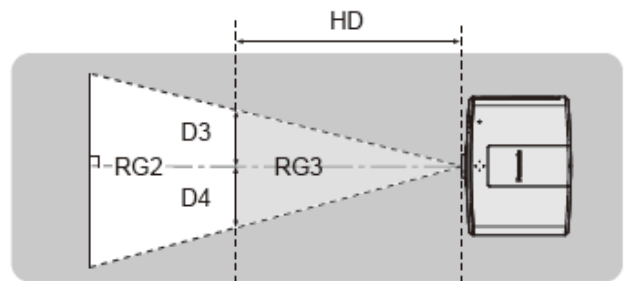
RG3 level is considered to be a hazard to the eyes from direct radiation.

RG2 level does not pose any optical hazard and can be safely used in all situations.

Hazard Distance / 障害距離 /
Gefahrenabstand / Distance du risque /
Distancia de peligro / Distanza di pericolo

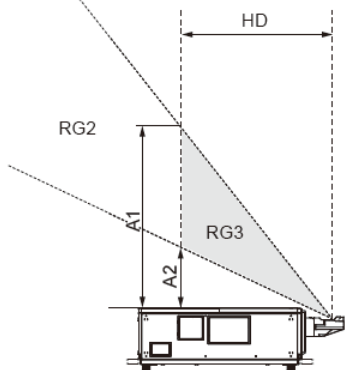


Hazard Distance / 障害距離 /
Gefahrenabstand / Distance du risque /
Distancia de peligro / Distanza di pericolo

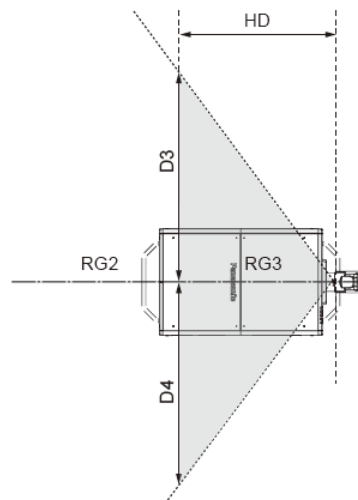


Except ET-DLE030

Harzard Distance / Gefahrenabstand /
Distance du risque / Distancia de peligro /
Distanza di pericolo



Harzard Distance / Gefahrenabstand /
Distance du risque / Distancia de peligro /
Distanza di pericolo



ET-DLE030

PT-RZ970、PT-RW930、PT-RX110
 PT-RZ770、PT-RW730
 PT-RZ660、PT-RW620

Lens	PT-RZ970, PT-RW930					PT-RX110				
	HD[m]	D1[m]	D2[m]	D3[m]	D4[m]	HD[m]	D1[m]	D2[m]	D3[m]	D4[m]
ET-DLE055	<1.0	0.40	0.40	0.64	0.64	<1.0	0.47	0.47	0.62	0.62
ET-DLE060		0.98	0.69	1.16	1.00		0.97	0.76	1.11	0.97
ET-DLE085		0.85	0.53	1.01	0.78		0.89	0.59	0.97	0.75
ET-DLE105		0.68	0.43	0.81	0.63		0.72	0.48	0.79	0.60
ET-DLE150		0.52	0.33	0.64	0.48		0.57	0.36	0.61	0.46
ET-DLE170	1.5	0.59	0.37	0.72	0.54	1.5	0.65	0.41	0.69	0.52
ET-DLE250	1.9	0.56	0.35	0.68	0.51	1.9	0.62	0.39	0.66	0.49
ET-DLE350	3.0	0.56	0.35	0.69	0.51	3.0	0.62	0.39	0.66	0.50
ET-DLE450	4.8	0.60	0.38	0.74	0.55	4.8	0.67	0.42	0.71	0.53
Lens	HD[m]	A1[m] max.	A2[m] min.	D3[m] max.	D4[m] max.	HD[m]	A1[m] max.	A2[m] min.	D3[m] max.	D4[m] max.
ET-DLE030	<1.0	2.19	0.54	1.32	1.32	<1.0	2.43	0.53	1.27	1.27

Lens	PT-RZ770, PT-RW730					PT-RZ660, PT-RW620				
	HD[m]	D1[m]	D2[m]	D3[m]	D4[m]	HD[m]	D1[m]	D2[m]	D3[m]	D4[m]
ET-DLE055	<1.0	0.40	0.40	0.64	0.64	<1.0	0.40	0.40	0.64	0.64
ET-DLE060		0.98	0.69	1.16	1.00		0.98	0.69	1.16	1.00
ET-DLE085		0.85	0.53	1.01	0.78		0.85	0.53	1.01	0.78
ET-DLE105		0.68	0.43	0.81	0.63		0.68	0.43	0.81	0.63
ET-DLE150		0.52	0.33	0.64	0.48		0.52	0.33	0.64	0.48
ET-DLE170 (Standard Lens)	1.1	0.44	0.28	0.53	0.40	1.1	0.40	0.25	0.49	0.37
ET-DLE250	1.5	0.45	0.28	0.55	0.41	1.3	0.30	0.19	0.37	0.28
ET-DLE350	2.2	0.42	0.26	0.51	0.38	2.0	0.26	0.16	0.31	0.24
ET-DLE450	3.9	0.50	0.31	0.61	0.46	2.0	0.27	0.17	0.33	0.25
Lens	HD[m]	A1[m] max.	A2[m] min.	D3[m] max.	D4[m] max.	HD[m]	A1[m] max.	A2[m] min.	D3[m] max.	D4[m] max.
ET-DLE030	<1.0	2.19	0.54	1.32	1.32	<1.0	2.19	0.54	1.32	1.32

PT-MZ670、PT-MW630、 PT-MZ570、PT-MW530

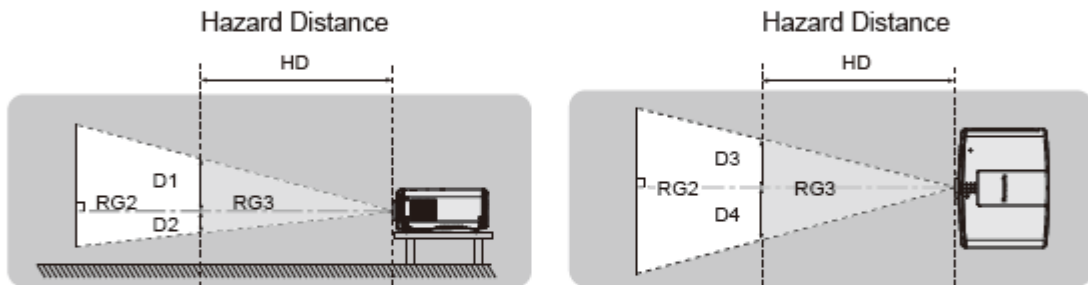
Hazard distance (IEC 62471-5)

The distance at which the level of exposure has dropped to the level of the applicable Exposure Limit Value is known as the hazard distance or safety distance.

Do not look or stare into the light beam from a distance closer than the hazard distance (RG3 = risk group 3). Beyond this distance the light beam is considered to be safe. (RG2 = risk group 2)

RG3 level is considered to be a hazard to the eyes from direct radiation.

RG2 level does not pose any optical hazard and can be safely used in all situations.



(Unit: m)

Lens	HD ^{*1}	D1 ^{*2} max.	D2 ^{*2} max.	D3 ^{*2} max.	D4 ^{*2} max.
ET-ELW21	< 1.0	0.97	0.97	1.13	1.13
ET-ELW22	< 1.0	0.89	0.89	1.03	1.03
ET-ELW20	< 1.0	0.62	0.62	0.72	0.72
Standard Zoom Lens/ ET-ELS20	< 1.0	0.47	0.47	0.55	0.55
ET-ELT20	< 1.0	0.29	0.29	0.34	0.34
ET-ELT21	1.9	0.34	0.34	0.39	0.39

*1 Hazard Distance

*2 D1, D2, D3, and D4 change in accordance with projection lens shift amount. Each number in this table is worst case.

English

(*1)Lens

(*2)Hazard Distance

(*3)D1~D4, A1 and A2 changes in accordance with projection lens shift amount.

Each number in this table is worst case.

(*4)Standard Lens

Note: Each table complies with IEC 60825-1 (2014) and IEC 62471-5 (2015)

A comma (,) is used to represent a decimal point.

Deutsch

(*1)Optik

(*2)Gefährdungsabstand

(*3)D1~D4, A1 und A2 ändert sich entsprechend der Position der Optik (Anteil der Linsen Verschiebung).

Die Werte in dieser Tabelle sind immer die maximal erreichbaren Größen.

(*4)Standardobjektiv

Notiz: Die Tabellen erfüllen die Normen IEC 60825-1 (2014) und IEC 62471-5 (2015)

Zur Darstellung der Dezimalstelle wird ein Komma (,) verwendet.

Français

(*1)Objectif

(*2)Distance du risque

(*3)D1~D4, A1 et A2 changent selon la quantité de décalage de l'objectif de projection.

Chaque nombre de ce tableau représente le pire des cas.

(*4)objectif standard

Remarque : chaque tableau est conforme aux normes IEC 60825-1 (2014) et IEC 62471-5 (2015)

Une virgule (,) est utilisée pour séparer les décimales.

Español

(*1)Lente

(*2)Distancia de peligro

(*3)D1~D4, A1 y A2 cambian en función del desplazamiento de la lente de proyección.

Cada número de esta tabla es el peor escenario.

(*4)lente estándar

Nota: Cada tabla cumple con las normas IEC 60825-1 (2014) e IEC 62471-5 (2015)

La coma (,) se utiliza como separador decimal.

Italiano

(*1)Obiettivo

(*2)Distanza di pericolo

(*3)D1~D4, A1 e A2 cambiano in base alla quantità di spostamento dell'obiettivo di proiezione.

Ogni numero di questa tabella rappresenta il caso peggiore.

(*4)obiettivo standard

Nota: ogni tabella è conforme con IEC 60825-1 (2014) e IEC 62471-5 (2015)

Per rappresentare un punto decimale viene utilizzata una virgola (,).